



### BPL004 KITCHEN SINK MIXER CHROME

**Minimum Working Pressure**

**Finish**

**Inserts**

**Valve Mechanism**

**Flow Type**

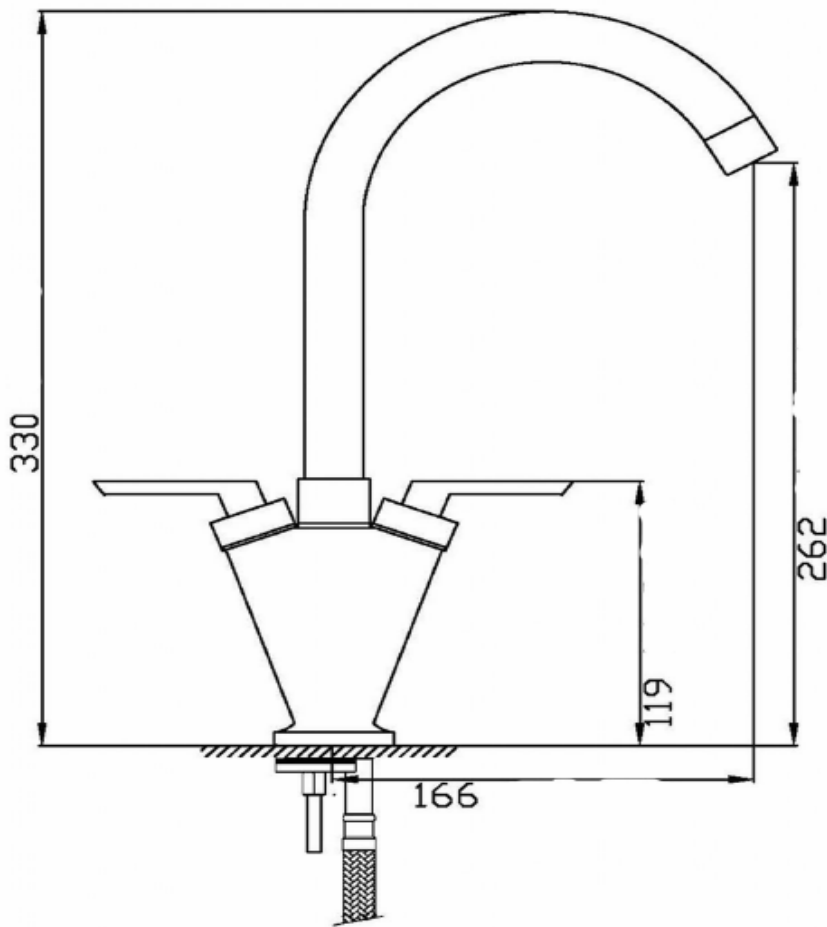
**Manufacturer**

0.5 bar  
Chrome  
Ceramic Disc Valves  
Quarter Turn  
Single  
Shavrin



**Technical Drawing**

See Below



**Flow Rates**

See below

<b>CODE</b>	<b>WATER PRESSURE(BAR)</b>	<b>Litres per minute</b>
BPL004	0.5	4.5
	1	6.0
	3	10.5